

# 3-Wire in-Wall On/Off Module



The AN179 is an inwall module to turn on/off any home appliance by wireless control. Compact in design, yet certified for safety by makes it suitable for installation in cramped electrical box located behind wall switches. Supporting Z-Wave Plus technology, it is fully compatible with other Z-Wave Plus controllers to create a smarthome environment. This product incorporates the Everspring patented zero-crossing technology to prolong lifetime of the relay.

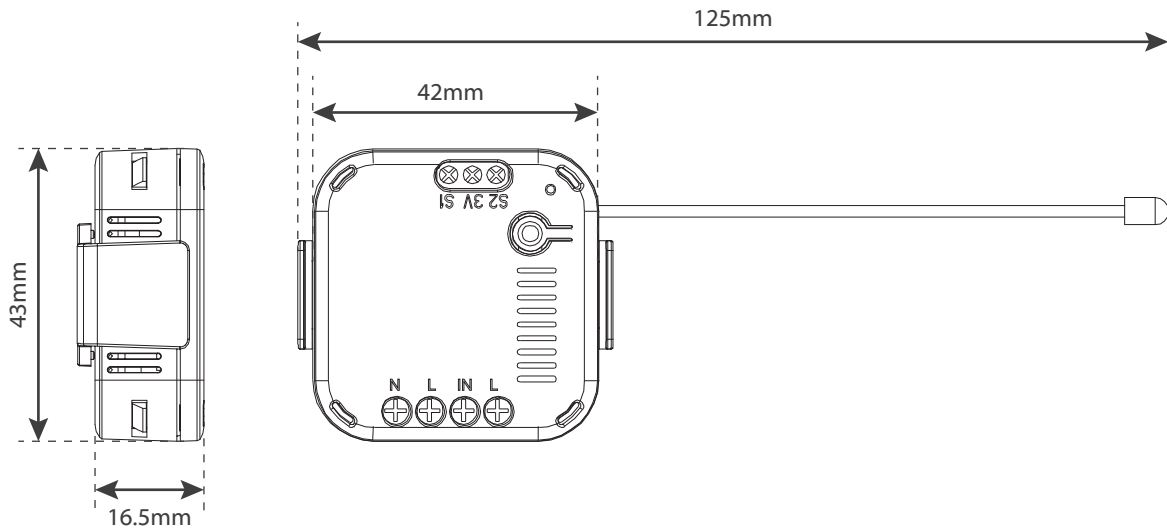
## Main Features

- Turn devices on and off by wireless
- Support up to 2500W resistive load
- Dry contact interface to 2-gang wall switch; rocker and momentary types
- Relay input separated from AC; can be use for DC, motor loads, alarms, etc.
- Z-Wave Plus wireless technology SDK 6.5x
- LED indicator and button for pairing
- Remembers last status before power cut
- Hardware overload protection
- Compact size, fits in wall box of major European countries



## Brief Product Specifications

|                       |  |                       |                         |
|-----------------------|--|-----------------------|-------------------------|
| Function              | 3-wire in-wall on/off module   | Power input           | AC220V - 240V / 50Hz    |
| Frequency range       | 868.42 MHz / 921.42MHz   | Operation temperature | -10 - 40°C              |
| RF protocol           | Z-Wave Plus  | Operation humidity    | 85% RH max              |
| RF range (open space) | >70m   | Dimension (mm)        | 43(W) x 42(D) x 16.5(H) |
| Max load              | 2500W resistive load<br>1200W incandescent load<br>320W fluorescent load<br>320W LED load (non-dimmable) | Weight                | 34g                     |



**EVERSPRING**  
Everspring Industry Co., Ltd.

Copyright © 2017 by Everspring Industry Co., Ltd. All rights reserved. The Everspring name and logo are registered trademarks of Everspring Industry Co., Ltd. All other trademarks and brand names are the property of their respective owners. Everspring reserves the right to revise product specifications and literature at any time without prior notice to any party.

### Confidentiality Statement

The purpose of this document is to provide general information about a product or products of Everspring Industry Co., Ltd. All information contained in this document is the confidential property of Everspring Industry Co., Ltd. Except where expressly authorized by Everspring Industry Co., Ltd., alteration, reproduction, redistribution, or transmission of this document by any means is strictly prohibited.

3F, No.50, Sec.1, Zhonghua Rd., Tucheng Dist.,  
New Taipei City 23666, Taiwan

Tel: +886-2-2260-6868  
Fax: +886-2-2260-1313

Web: [www.everspring.com](http://www.everspring.com)  
E-mail: [sales@everspring.com](mailto:sales@everspring.com)